

# 1/10-Scale 4WD Desert Buggy Manual

[www.zdhobby.com](http://www.zdhobby.com)

# ROCKET BEX-10



This manual expatiates the structure of the model. In order to better maintain and replace the spare parts, please keep and take it for reference. The user who is not familiar with the assembling, please contact with the wholesaler, nominated model shops and the Special after-sale service outlets.

The actual version is subject to the real standard. It would be varied because of different versions.

## ZD RACING



[WWW.ZDHOBby.COM](http://www.zdhobby.com)

## ZD RACING

[www.zdhobby.com](http://www.zdhobby.com)



Made in china

The spare parts, appearance of this model will be tiny revised and changed before totally upgrade into a new version, ZD reserve this rights, and no further notice.

## INTRODUCE

Thank you for choosing the ZD racing series products. Our company take the target of offering the top quality and best service. Through attending the competitions and repeated testing the products, constantly enhancing our experience, then further improving the design and quality control. Only for showing the great performance products. This manual including all the important matter before operating the car. We advise studying and knowing the control system before assembling or playing it. As well as the further upgrade and maintenance. Please feel free to consult our authorized dealer, nominated model shop or special after-sale service station if any question refer to the play or use. Our website is: [www.zdhobby.com](http://www.zdhobby.com). We are wholeheartedly for your service.

## QUALITY ASSURANCE

Our company take the fully responsibility to the quality defect during the manufacturing process. This assurance is only subject to the product only and its spare parts.

**These situation below are not included:**

- The breakage caused by using, assembling or adjustment.
- The other breakage not related to the quality itself.

## IMPORTANT STATEMENT

The Model Car is not a toy. It is the casual item combine a lot of high technology products. If using improper may bring serious damage. Please read the manual detailed before using, and keep yourself safe.

**Attention:** Any operation of the Model car, the manufacturer and dealers are incapable of take the responsibility of the accidents caused by wear out or abnormal assemble.

This product is provided to those who have operation remote control model car experience or a technical personnel in the guidance of the local legal field, in has to ensure the safe and correct operation under the condition of use. Our company will not accept any operation and use the control on any performance and safety responsibility

The RC products are belong to consumable goods, if disassemble, it may cause the spare parts loss, Any use of goods caused by bad or not satisfied, will not be able to replace or return, such as in case of operation maintenance problems, the company designated national distributor model shop and special after-sale service store will provide technical guidance, and special parts supply services.



**Warning:** because of the neglect of these operating instructions, and use wrongly may cause property damage or serious injury.

**Note:** because of the neglect of these operating instructions, and use wrongly could be dangerous.

**Ban:** in any prohibited environment, do not try to operation.

## SAFETY GUIDELINES

1. Don't operation the models close to open fires or near heat source.
2. Operation must be in the open and dry site .
3. The thunderstorm weather is forbidden to operate this product.
4. Away from the high voltage cables.
5. Some of the parts will be exothermic or burning after operated.
6. Please do not use hand or foreign body contact activities of the parts before cut off the power supply,

7. During the operation, if foreign matter or liquid get into eyes, please timely with plenty of water flush eyes, and immediately consulting professional doctor. As the body is injured, please seek immediate medical attention.
8. Keep out of the reach of children, this is not toy, strongly suggest adult supervision.
9. Placed in ventilated and dry place, do not use, take the battery out.
10. The product items do not diet or swallowed.

## RADIO-Part Number



1	TH (throttle) trigger
2	ST(rudder) fine-tuning
3	Power indicator
4	ST (rudder) forward / reverse rudder switch
5	Power switch
6	ST (rudder) disc
7	TH (throttle) forward / reverse rudder switch
8	AUX
9	Battery cartridge

overtake

Brake and retreat

Turn left

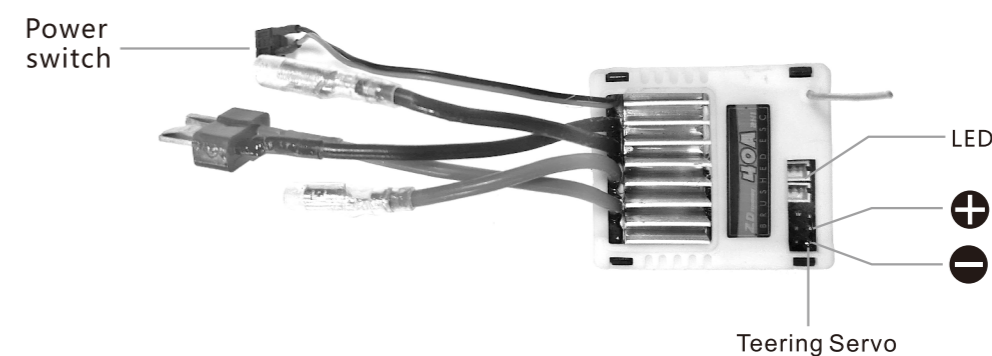
Median

Turn right

1. Put 2 AA batteries into the battery tank (Please note the Positive and Negative )

2. If the remote control indicator flashes, it indicates that the power supply is insufficient

## Brushed ESC receiver



## CHARGING THE BATTERY PACK

- Once the battery ready to be charged, first plug the AC quick charger into the outlet of AC power source, and then connect the battery input/output harness to the charger.
- Continued to monitor the battery as it is being charged. As soon as the battery is fully charged, disconnect the battery from the charger plug (Over-charging or charging incorrectly using inadequate chargers may cause the battery pack to become dangerously hot).
- For best results, let the battery pack cool before charging. Heat may prevent the battery pack from charging to full capacity and also decreases the performance of the battery.

Li-PO battery



Ni-MH battery



## BATTERIES

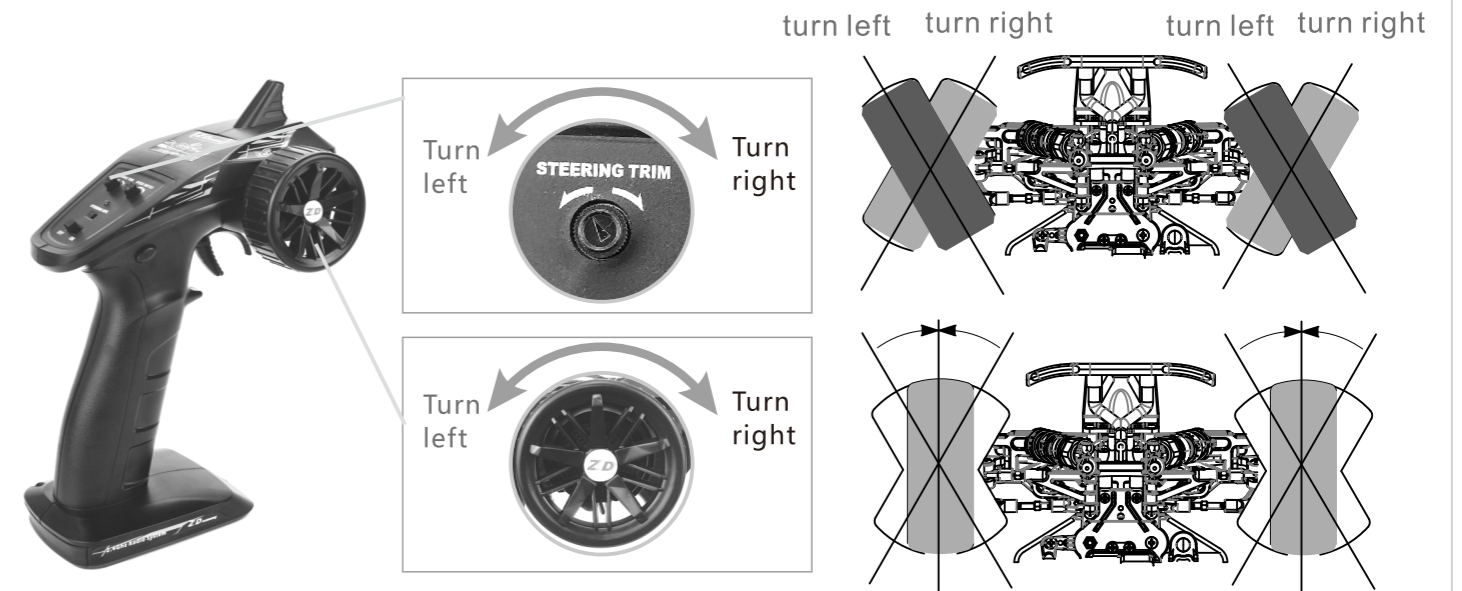
Lithium Polymer (Li-Po) batteries are becoming popular for use in R/C models due to their compact size, high energy density, and high-current output. However, these types of batteries require special care and handling procedures for long life and safe operation.

**Warning:** Lithium Polymer (Li-Po) batteries are intended only for advanced users that are educated on the risks associated with Li-Po battery use. THUNDER TIGER/ACE RC does not recommend that anyone under the age of 16 use or handle Li-Po battery packs without the supervision of a knowledgeable and responsible adult.

- Important:**
- Do not use NiCd/Ni-MH battery chargers for Li-PO batteries. If you do not use a special charger for Li-PO battery, they will be damaged.
  - If the battery is swollen or damaged, it is forbidden to use.
  - Do not charge for long periods when left unattended.

**Please note!** Consumers for use or installation of lipo battery in the remote control model belongs and cause any Direct or indirect damages, our company will not bear any legal liability.

## Steering operation guide

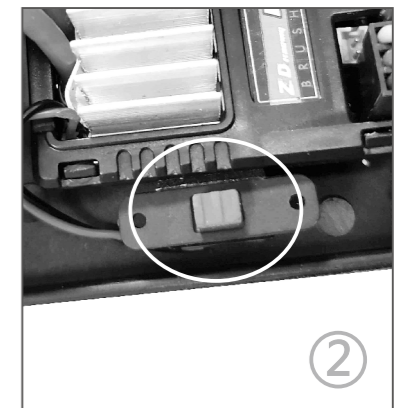


- slowly rotating around the steering wheel, the car will be slow to the right or to the left accordingly (when there is no consistent please toggle on the remote control ST direction and rudder switch).
- when the cars can't run straight, you can adjust to direction of the remote control on the median knob, until the vehicle can run straight.

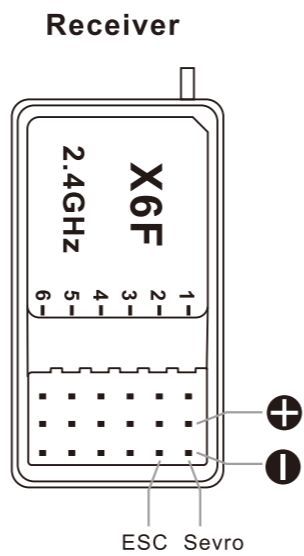
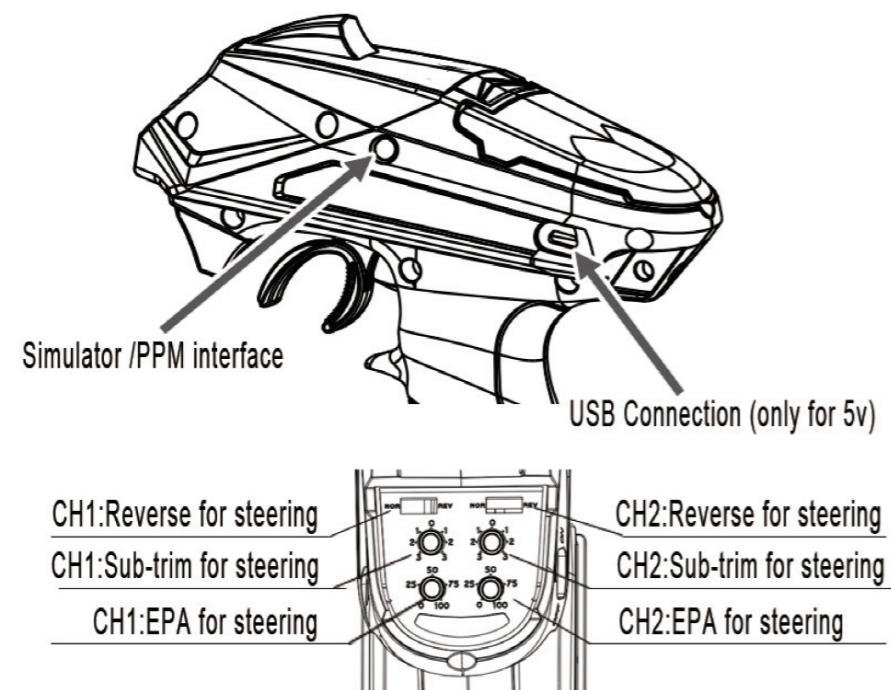
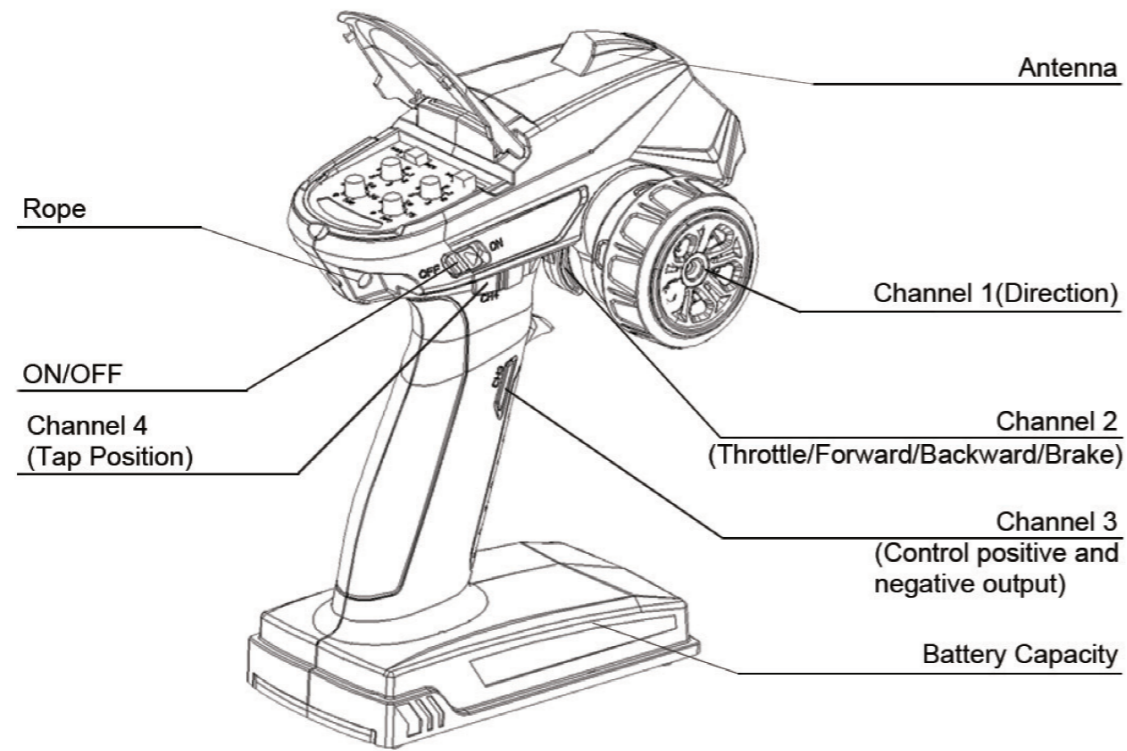
- ◆ Adjust the Median trimming to keep the front wheel in the center position
- ◆ When testing the diversion of the car, please keep the front wheel hang in the air.

## Racing Steps

- Turn on the remote control switch, the power indicator flashes.
- Connect the power cord and turn on the ESC switch, automatic frequency matching at startup, and the power light stops flashing
- Turn the steering wheel and throttle trigger, everything is normal, you can go running.
- Finish racing, Turn off the ESC and off the radio, disconnect the power plug.



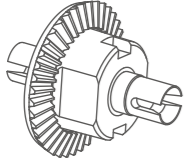
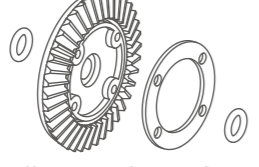
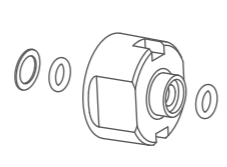
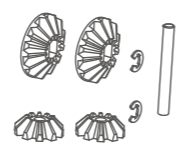
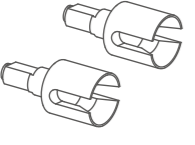
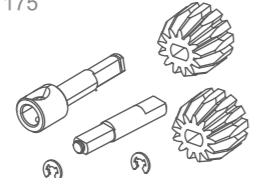
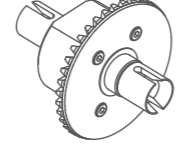
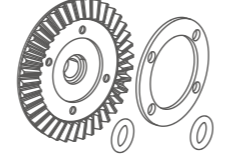
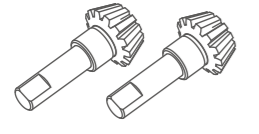
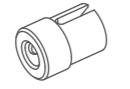
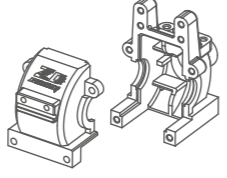
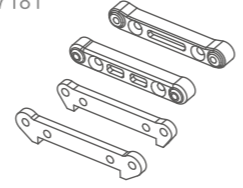
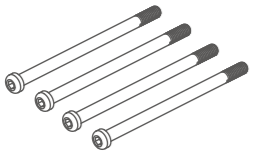
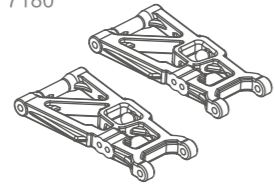
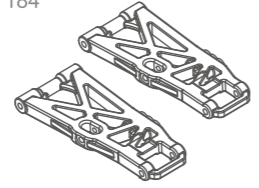
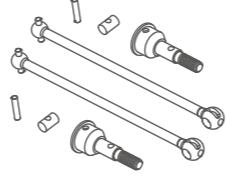
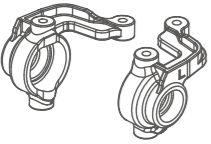
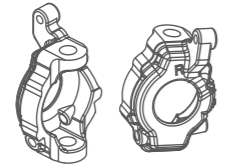
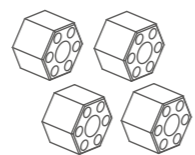
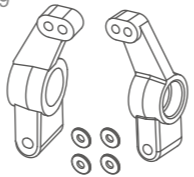
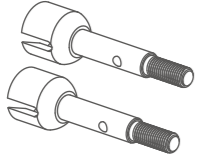
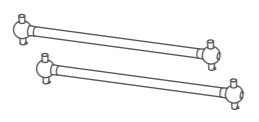
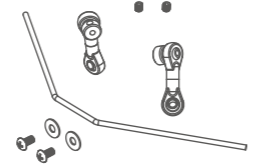
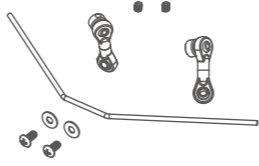
**2.4G RC WITH 4-CHANNELS SETUP AND FAIL SAFE FUNCTION**



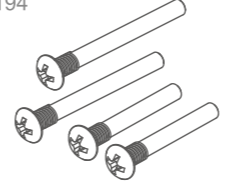


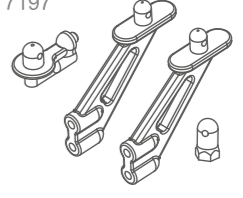
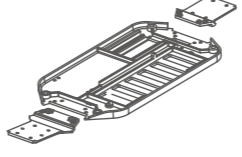
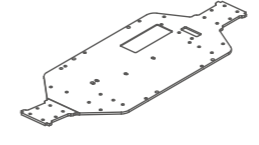
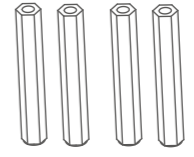
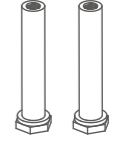
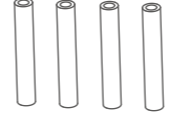
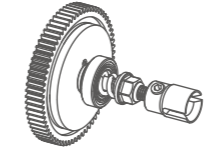
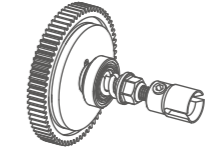
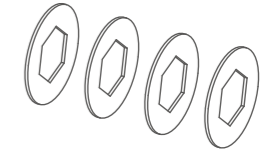
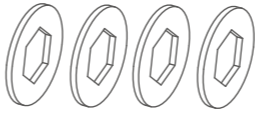
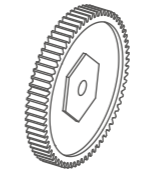
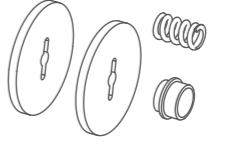
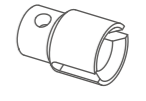
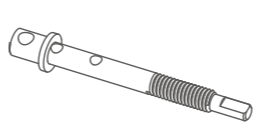
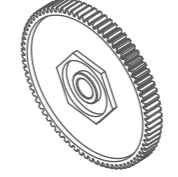
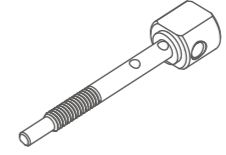
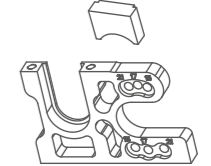
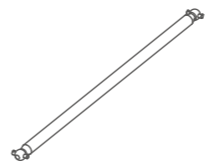
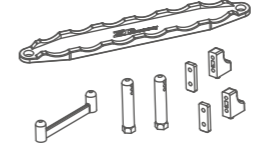
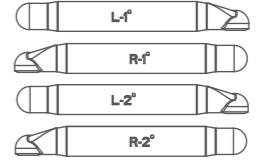
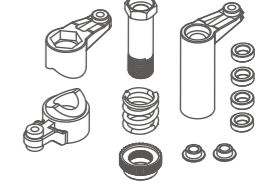
**GENERAL REPLACEMENT PARTS**

7560  LED Set	7561  540 Brushed Motor	7562  550 Brushed Motor	7563  3650 3300KV Brushless Motor
7564  3665 2300KV Brushless Motor	7286  3KG Servo	7565  9KG Servo	7566  40A 2H1 Brushed ESC
7568  Ni-MH 2000mAh 7.2V	7569  Li-Po 7.4V 25C 2400mAh	7570  Li-Po 11.1V 35C 3200mAh	7580  60A Brushless ESC
7590  80A Brushless ESC	7591  2.4G Radio set	7592  2.4G Radio set +Brushed ESC	7594  2.4G Radio set + Receiver
7595  2.4G Radio set	7596  Receiver	6215  B3 Li-Po Charger	6161  Ni-MH Charger

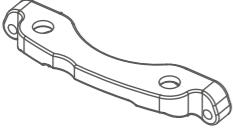
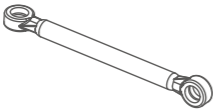

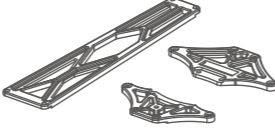
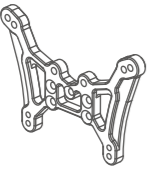
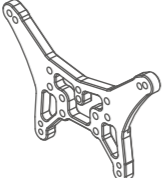
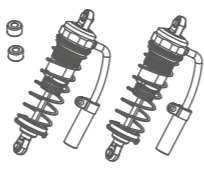
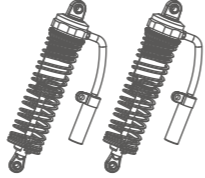
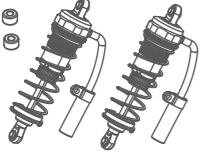
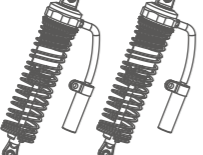
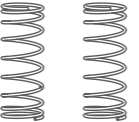
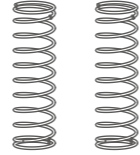
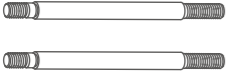

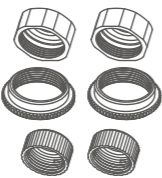
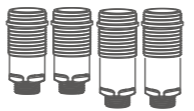
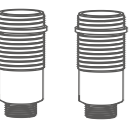
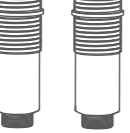
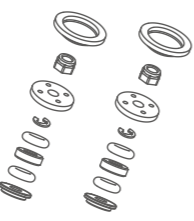
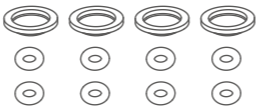
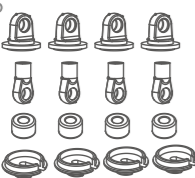

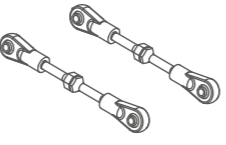
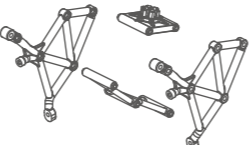
GENERAL REPLACEMENT PARTS

7170  Complete Differential Set	7171  Differential Crown Gear 38T+Sealing	7172  Differential Case and Sealing	7173  Differential Gear Set (4pcs)
7174  Differential Outdrives front+rear	7175  Diff Pinion Gear 13T (2pcs)	7500  Complete Differential Set (CNC)	7501  Differential Crown Gear 38T+Sealing (CNC)
7502  10T Pinion Gears(CNC)	7176  Outdrive Gear Box front	7177  Gear Box (1pcs)	7181  Susp. Arm Hinge Pin Brace front&rear
7182  3x30mm Hinge Pin (4pcs)	7180  Front Suspension Arm Set	7184  Rear Suspension Arm Set	7503  Universal Drive shaft
7186  Steering Knuckles	7187  C-Hubs with Inserts	7504  Wheel Hex Nuts	7189  Rear Hub Car.+ Hex Wheel-Ad.(each with 2pcs)
7505  Rear Hub Carrier Axle	7191  Horizontal drive shafts	7192  Front Sway Bar Set	7193  Rear Sway Bar Set

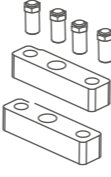
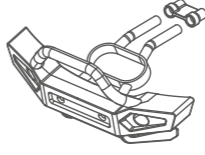
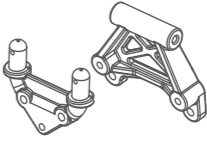
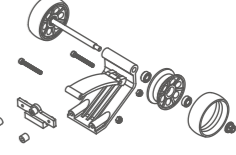

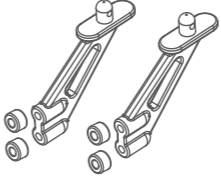
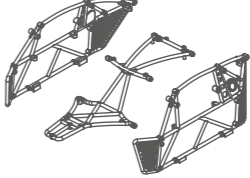
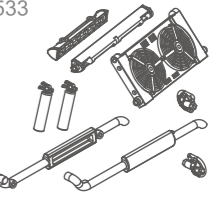
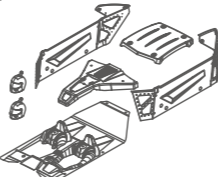
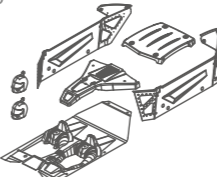
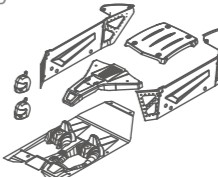
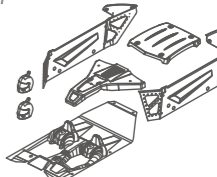
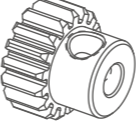
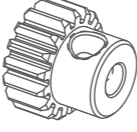
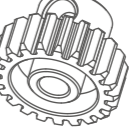
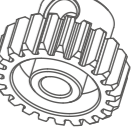
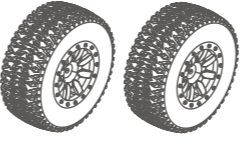
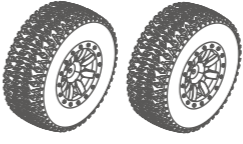
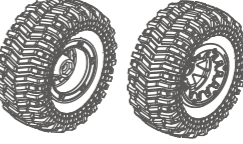
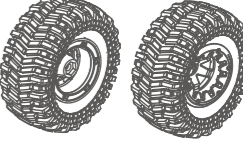
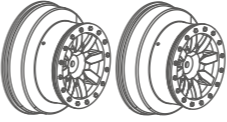
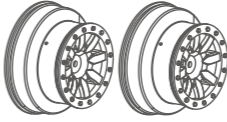
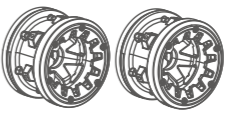
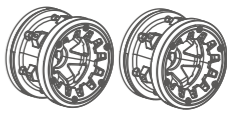
GENERAL REPLACEMENT PARTS

7194  Front/Rear Lower Suspension Pins	7195  Front Upper rod set 1°/2°/3°	7196  Rear Upper rod set 1°/2°/3°	7197  Wing Mount Plastics
7506  Chassis (Plastic)	7507  Chassis (Aluminum)	7199  Aluminium strut (4pcs)	7200  Servo Saver Post
7508  Plastic Strut(4pcs)	7201  Slipper Clutch complete with Main Gear (Plastic)	7509  Slipper Clutch complete with Main Gear (CNC)	7202  Asbestos paper friction plate
7510  Asbestos paper friction plate (Copper)	7203  Reduction Gear (Plastic)	7204  Adjusting spring/ Adjusting spring mount/ Asbestos briquetting	7205  Dogbone-Outdrive Slipper Clutch
7206  Reduction gear shaft	7511  Reduction Gear (CNC)	7512  Reduction gear shaft (Copper)	7208  Aluminium Motor Mount
7210  Aluminium Center Driveshaft	7211  Battery Tray and Posts	7212  Steering Rods	7213  Servo Saver/Steering Arms

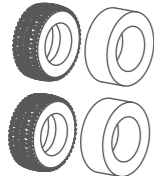
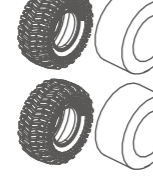
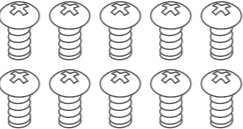
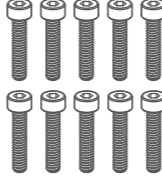
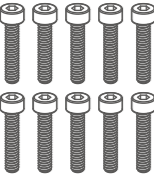
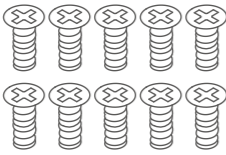
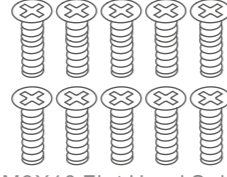
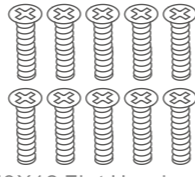
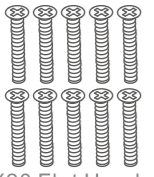
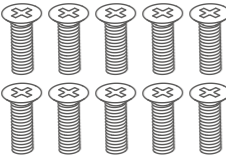
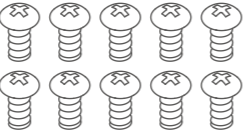

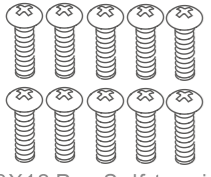
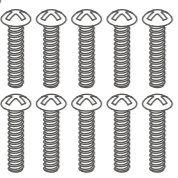

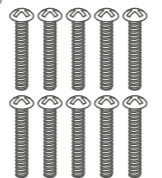
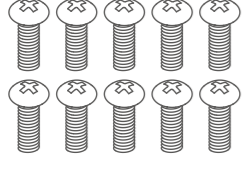
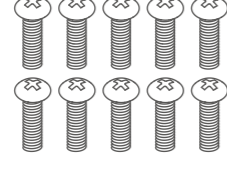





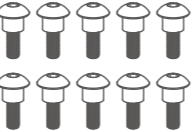
GENERAL REPLACEMENT PARTS

7214  Steering Connecting Plate	7215  Steering Servo Turnbuckle	7216  Servo Arm Plastic	7513  Middle Upper Chassis Plate
7514  Front Shock Tower (CNC)	7515  Rear Shock Tower (CNC)	7516  Front Shock Set	7517  Rear Shock Set
7518  Front Shock Set (Aluminum)	7519  Rear Shock Set (Aluminum)	7520  Front Shock Spring	7521  Rear Shock Spring
7223  Front Shock Rods	7224  Rear Shock Rods	7522  Shock cap Shock seal cover	7232  Front/Rear shock absorber cylinder block
7523  Front shock absorber cylinder block (Aluminum)	7524  Rear shock absorber cylinder block (Aluminum)	7228  Shock absorber piston group	7229  Shock Sealing Set (4pcs)
7525  Shock End Set Upper/Lower Shock spring lower seat	7233  Server crankset	7525  Steering Rods	7557  Spare Tire Mount

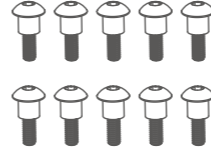
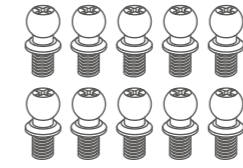
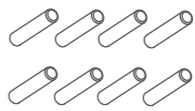
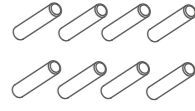
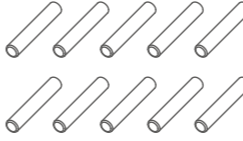





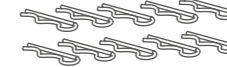
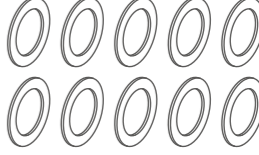
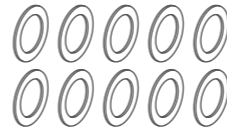
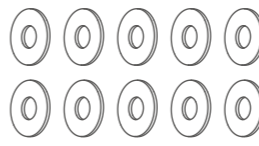

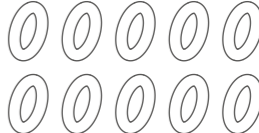
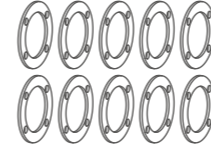

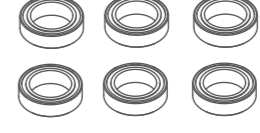

GENERAL REPLACEMENT PARTS

7527  Battery holder set	7528  Front Bumper	7529  Body Post set	7530  Look up wheel group
7243  Tail Wing	7531  Wing Mount Plastics	7532  To Protect the rack	7533  To Protect the rack accessories
7534  Body (Red)	7535  Body (Orange)	7536  Body (Black)	7537  Body (Green)
7538  Motor Gear (17T)	7539  Motor Gear (19T)	7540  Motor Gear (21T)	7541  Motor Gear (23T)
7542  Tire Set (Red)	7543  Tire Set (Orange)	7544  Tire Set (Red)	7545  Tire Set (Green)
7546  Tire Rim Set (Red)	7547  Tire Rim Set (Orange)	7548  Tire Rim Set (Red)	7549  Tire Rim Set (Green)

GENERAL REPLACEMENT PARTS

7550  Tyre+Inserts front	7551  Tyre+Inserts front	7552  M4x12 Pan Self-tapping Screw Set	7553  M3x24 Socket Cap Screw
7244  M2x10 Socket Cap Screw	7245  M3X8 Flat Head Self-tapping Screw Set	7246  M3X10 Flat Head Self-tapping Screw Set	7247  M3X12 Flat Head Self-tapping Screw Set
7248  M3X20 Flat Head Self-tapping Screw Set	7249  M3X8 Flat Head Screw Set	7250  M3X6 Pan Self-tapping Screw Set	7251  M3X10 Pan Self-tapping Screw Set
7252  M3X12 Pan Self-tapping Screw Set	7253  M3X14 Pan Self-tapping Screw Set	7254  M3X16 Pan Self-tapping Screw Set	7255  M3X20 Pan Self-tapping Screw Set
7256  M3X8 Pan Head Screw Set	7257  M3X10 Pan Head Screw Set	7258  Set Screw M3x3	7259  Set Screw M3x10
7260  Set Screw M4x4	7261  Lock Nut M2.5	7262  Lock Nut M4	7263  M3x4.1 Screw rod

GENERAL REPLACEMENT PARTS

7264  M3x4.8 Screw rod	7265  Steering Ball Screws φ4.7-M3	7266  φ2x9.7 Pin Set	7267  φ2x10 Pin Set
7268  φ2x11 Pin Set	7269  Ball bearing φ8x5x2.5	7270  Ball bearing φ10x5x4	7271  Ball bearing φ15x10x4
7272  E button φ2.5x0.4	7273  Ball Head Set	7274  R-Pin Set	7275  φ8xφ5.1x0.3 Washers
7276  φ10xφ5.5x0.3 Washers	7277  φ8xφ3.2x0.5 Washers	7278  Rear Wheel Shaft Washers φ7.5xφ5.1x2.1	7279  Differential sealing φ8xφ1.5
7280  Asbestos paper friction plate φ25.5x17.5x1.0	7554  Complete Bearing Set φ10x φ5x4	7555  Complete Bearing Set φ15x φ10x4	7556  Set Screw M5x4

